

## Equipped troughs

Equipped troughs

Code: 3025 800



### DETAILS

Edge/Installation Type Flush-mount | Top-mount

---

Material AISI 304 stainless steel

---

Finish Foster brushed

---

Texture Brushed in line

---

Base 90 cm

---

External dimensions 870 x 170 mm

---

Internal dimensions 842 x 142 mm

---

Width 87 cm

---

Length 6 unit - Standard

---

Built-in hole

[View technical data sheet](#)

---

Standard fittings

Fixing hooks, gasket, drain, boxed packing

---

Waste fitting

1¼" drain

---

Key to understanding the accessories

The lengths of the channels and accessories are indicated in “units”; for the composition, the sum of the “units” of the accessories must be the same as the length in “units” of the channel.

---

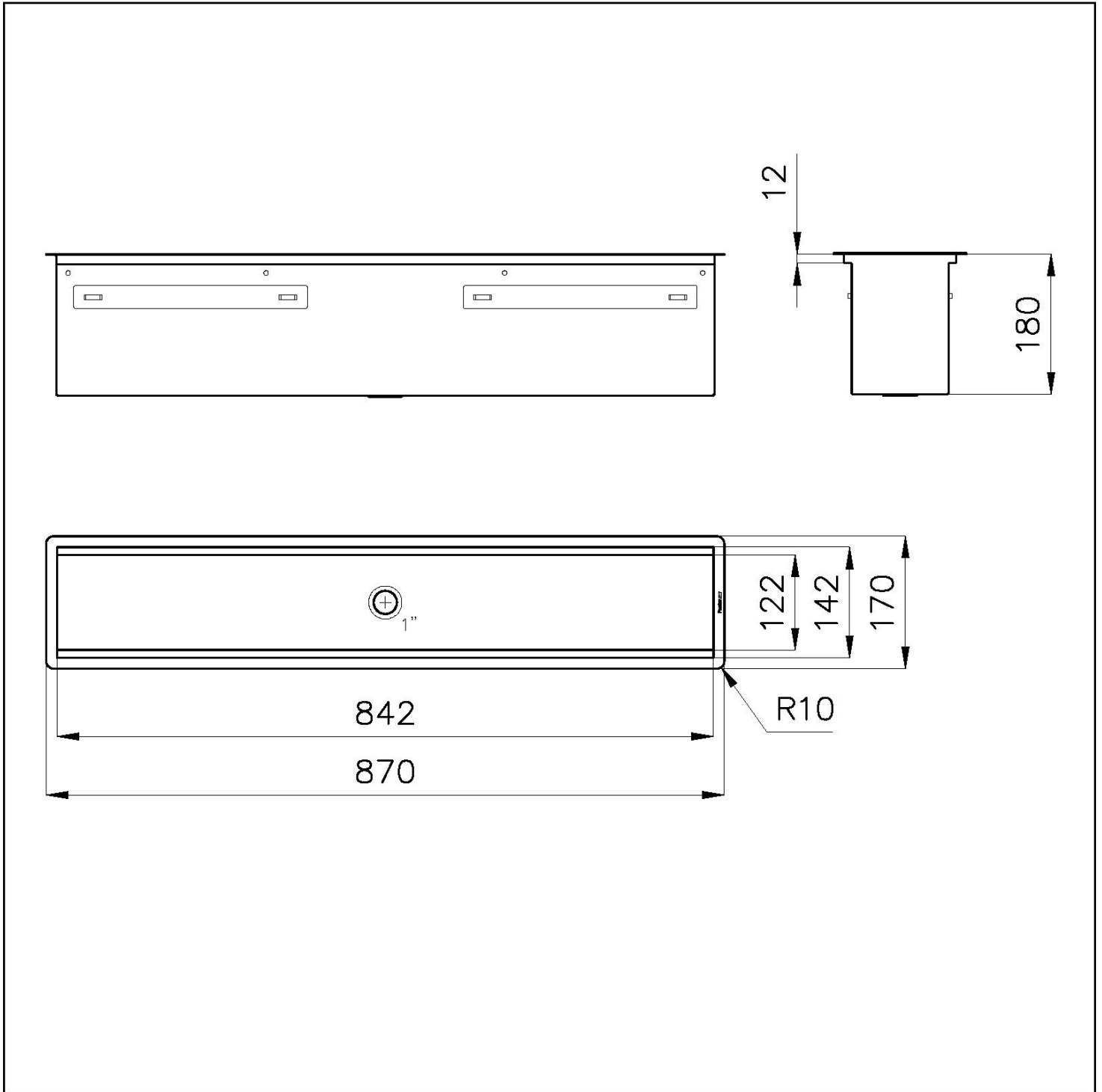
## FEATURES

High thickness

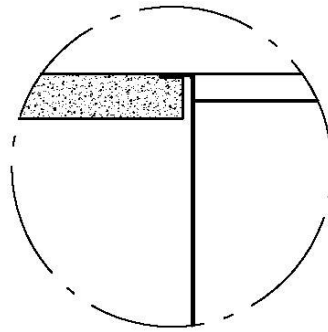
1mm thick steel. A significant thickness, which guarantees the maximum sturdiness and durability.

---

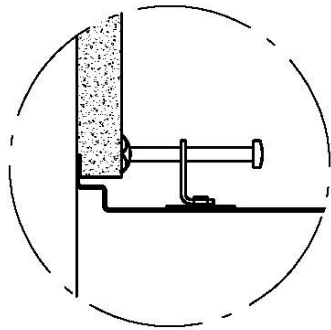
## TECHNICAL DATA



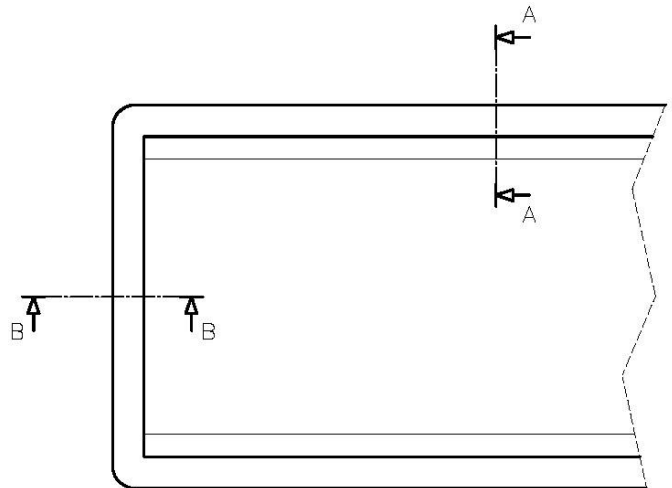
## Filotop/Flush-mount



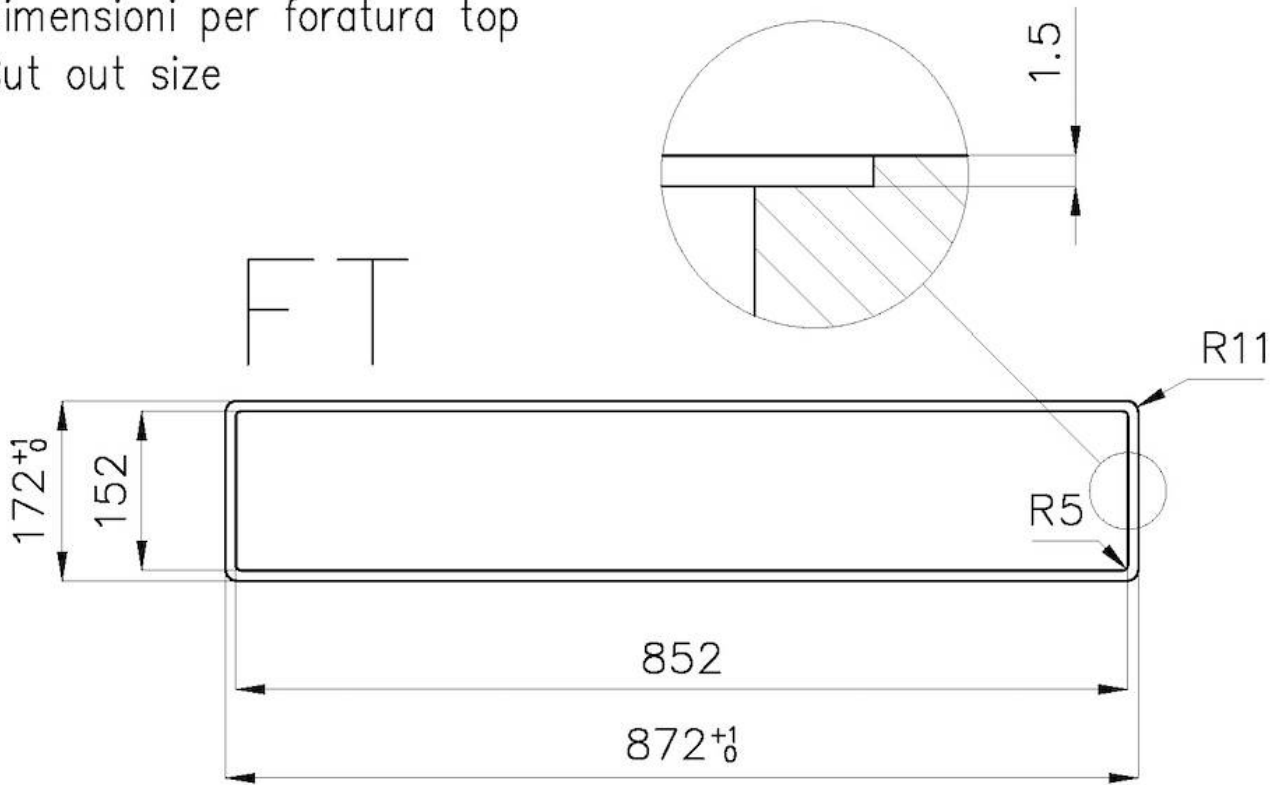
B-B:  
Dettaglio installazione  
Installation detail



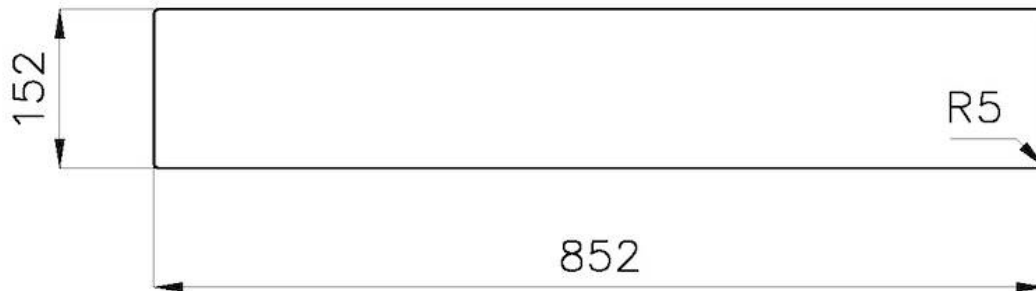
A-A:  
Dettaglio installazione e sistema di fissaggio  
Installation detail and fixing system



Dimensioni per foratura top  
Cut out size



SPT



## GALLERY



## OPTIONAL ACCESSORIES



**Black drainer**  
8100 058



**Kit "A"**  
8100 703



**Kit "B"**  
8100 700



**Kit "C"**  
8100 701



**Kit "D"**  
8100 704



**Kit "E"**  
8100 705



**Kit "F"**  
8100 706



**Kit "G"**  
8100 710



**Kit "H"**  
8100 702



**Kit "N"**  
8100 714



**Push socket-holder**  
8000 020



**Stainless steel knife holder**  
8100 712



**Stainless steel perforated tray**  
8151 003



**Stainless steel plate rack**  
1773 100